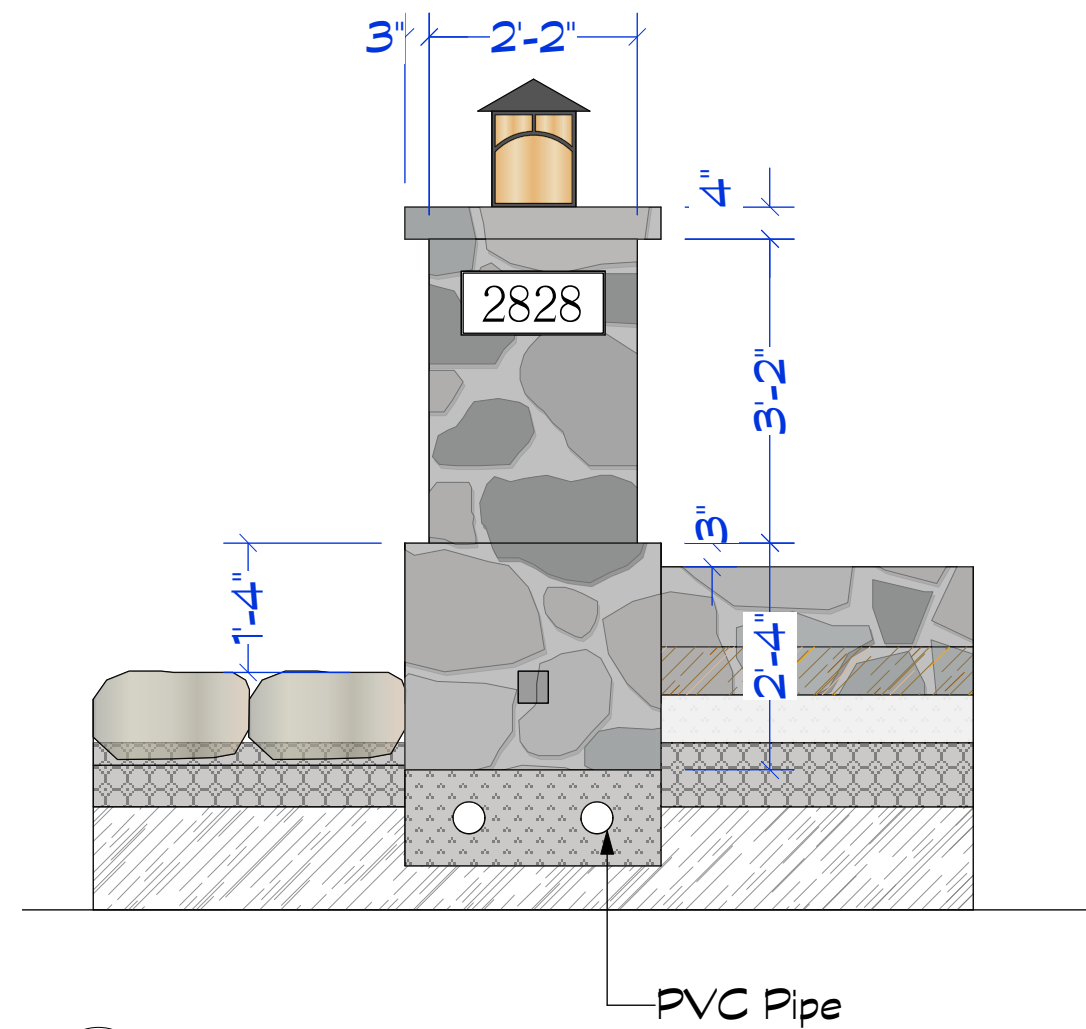
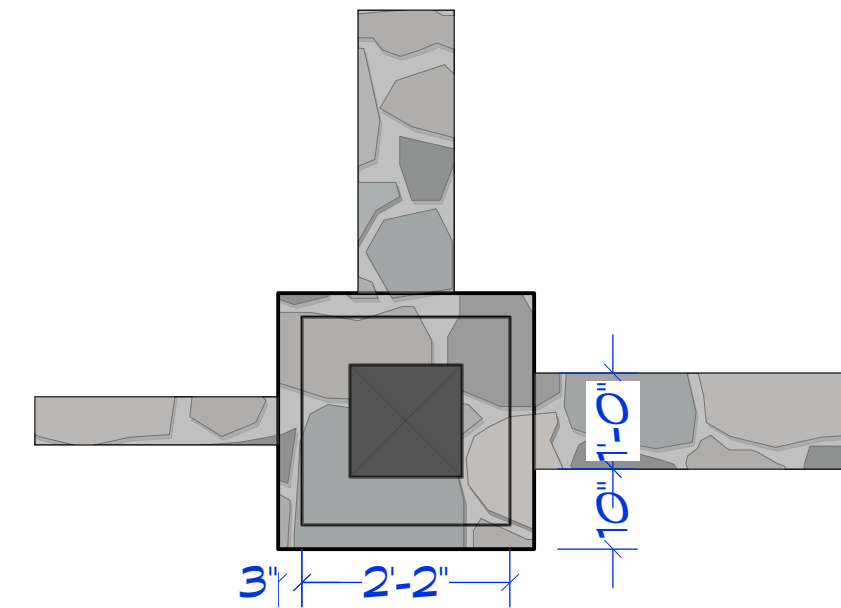


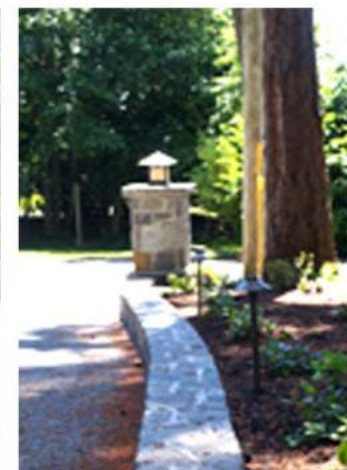
1 Entrance Pillar - Elevation - As Built
Scale: 1/2" = 1'-0"



2 Entrance Pillar - Section - As Built
Scale: 1/2" = 1'-0"



3 Entrance Pillar - Plan - As Built
Scale: 1/2" = 1'-0"



4 Entrance Pillar Pictures - As Built

Revisions

SOBKIN RESIDENCE
2828 Seaview
Victoria, BC

Entrance Pillar Details - As built



P.O. Box 5299,
1625 Fort Street.
Victoria, B.C.
V8R 1H9
Tel. 250-595-0527
Fax. 250-479-2575

Date:
08/20/2013

W4

The design is not to be used or copied without the written consent of Acacia Landscape Inc. The design is not to be used or copied without the written consent of Acacia Landscape Inc. The design is not to be used or copied without the written consent of Acacia Landscape Inc. The design is not to be used or copied without the written consent of Acacia Landscape Inc. The design is not to be used or copied without the written consent of Acacia Landscape Inc.